



# AREY

## STRETCHED BEYOND ORDINARY

Lean and sleek, Arey is an extremely flexible lighting solution with a vast range of adjustability. Available in both single and double arm models, its streamlined design and spring tension joints allow for smooth articulation.

### FEATURES AVAILABLE

- Single or double arm
- Two mounting options

## FEATURES

- Spring tension allows for smooth, adjustable positioning, utilizing the fixture's full range of motion.
- A single-touch on/off button is located next to the LED lens, allowing the user to control the light source while adjusting the fixture's position.
- The double arm model comes with a two-point articulating joint with spring activated movement.
- The 4 lb. base provides weight for additional stability.
- Choose from two mounting options.

## SPECIFICATIONS

Energy consumption:	6 system watts
Number of LEDs:	12 fractional LEDs
Light output:	350 lumens
Peak footcandles:	167 @ 15" from work surface*
LED rated lifespan:	> 20,000 hours
Color temperature:	3900K (±5%)
Color rendering index:	80
Arm options:	single or double
Mounting:	freestanding base or clamp mount
Standard color:	white
Materials:	aluminum, plastic and steel
Power supply:	6-watt wall transformer
Cord:	4'11" black cord
Certifications:	UL listed: compliant to UL 153 & CSA C22.2 No. 250.4; clamp mount pending UL certification
Warranty:	1 year

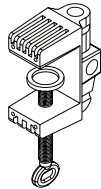
## SPECIFYING NOTES

- The single arm model has a 14" reach from the front of the base to the tip of the fixture head.
- The double arm model has a 21" reach from the front of the base to the tip of the fixture head.
- The single arm fixture weighs 4 lbs.
- The double arm fixture weighs 4.5 lbs.
- Optional 3' cord extender accessory extends total cord length to 7'11".

## MOUNTING OPTIONS



Freestanding Base



**Clamp Mount**  
up to 1.74" thickness  
(pending UL certification)



3' Cord Extender

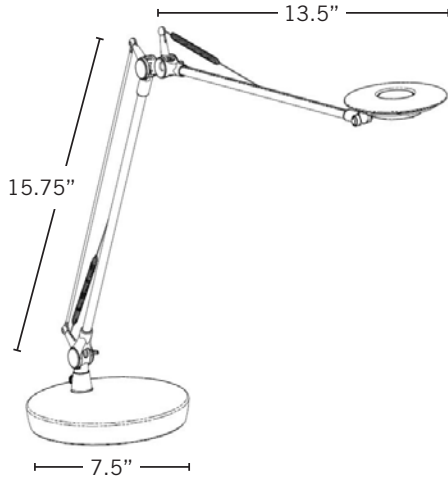
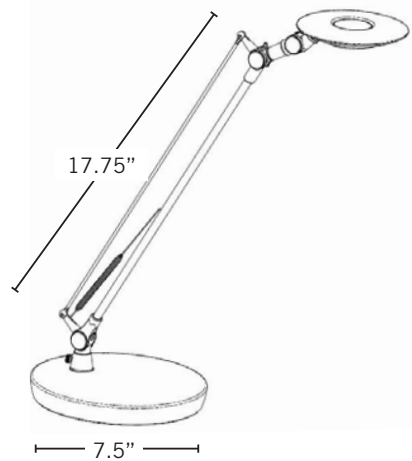
## ACCESSORIES



**Environmental considerations:**

- Made with fully-recyclable aluminum
- Lower power consumption
- Mercury-free LEDs
- LEED credit eligibility

\*A footcandle plot is available at [www.lightcorp.com/products/desk/arey](http://www.lightcorp.com/products/desk/arey).



## ORDERING INFORMATION

	DESCRIPTION	CODE
<b>Step 1: Select arm</b>	Single arm	AREY.S
	Double arm	AREY.D
<b>Step 2: Select mounting</b>	Freestanding base	+FS
	Clamp mount	+CM
<b>Step 3: Add accessory</b>	3' cord extender	+CE



**WARNING:** This product may expose you to chemicals including di(2-ethylhexyl) phthalate (DEHP), lead and/or titanium dioxide which are known to the State of California to cause cancer and birth defects or other reproductive harm. For more information, go to [www.P65Warnings.ca.gov](http://www.P65Warnings.ca.gov).