

LIGHTCORP

FROM DAY TO NIGHT

FEATURES AVAILABLE

- Color temperature changing
- Single arm
- Dimming
- Automatic turn off
- USB charging

Piper delivers color temperature control unlike any other. Comprised of a three-step soft touch dimming interface and selectable color temperature ranging from 2700K – 6500K, it provides a spectrum of illumination from warm to cool—providing the perfect light from day to night. An integrated USB port is housed in its base, making for readily-accessible electronic charging. A manual timer allows you to set a 50-minute automatic shutoff to conserve energy use.

PIPER



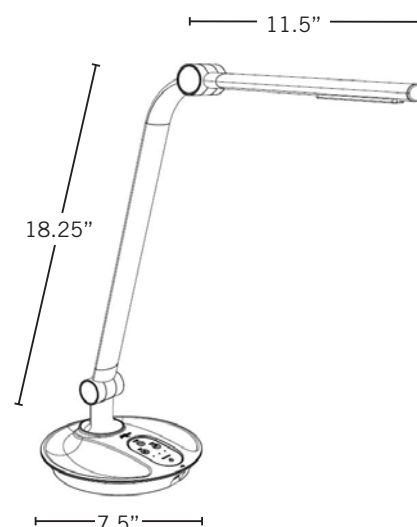
PIPER

FEATURES

- Color temperature selection ranges from 2700K-6500K with a three-step brightness adjustability for output control.
- The programmable turn off feature comes standard and will turn the fixture off after 50 minutes of continuous use.
- Built-in USB port allows for device charging.

SPECIFICATIONS

Energy consumption:	9.5 system watts
Number of LEDs:	36 fractional LEDs
Light output:	511 lumens (max.)
Peak footcandles:	130 @ 15" from work surface at 6500K*
LED rated lifespan:	> 30,000 hours
Color temperature:	2700K, 4500K, 6500K
Color rendering index:	82
Brightness adjustability:	3-step: 100%, 63%, 30%
Automatic turn off:	programmable; after 50 minutes
Arm options:	single
Standard color:	white
Materials:	aluminum and plastic
Power supply:	16-watt wall transformer
Cord:	4'11" white cord
USB dedicated charge port:	Type-A connector, 5V, 1A
Certifications:	ETL listed: compliant to UL 153 & CSA C22.2 No. 250.4; FCC Part 15 Class B; TAA
Warranty:	3 years



SPECIFYING NOTES

- The arm has a 15" reach from the front of the base to the tip of the fixture head.
- Optional 3' cord extender accessory extends total cord length to 7'11".
- The total fixture weighs 2.5 lbs.

ACCESSORIES



3' Cord Extender

ORDERING INFORMATION

	DESCRIPTION	CODE
	Piper LED fixture	PIPER
Add accessory	3' cord extender	+ .CE



Environmental considerations:

- Made with fully-recyclable aluminum and plastic
- Lower power consumption
- Mercury-free LEDs
- LEED credit eligibility

*A footcandle plot is available at www.lightcorp.com/products/desk/piper.