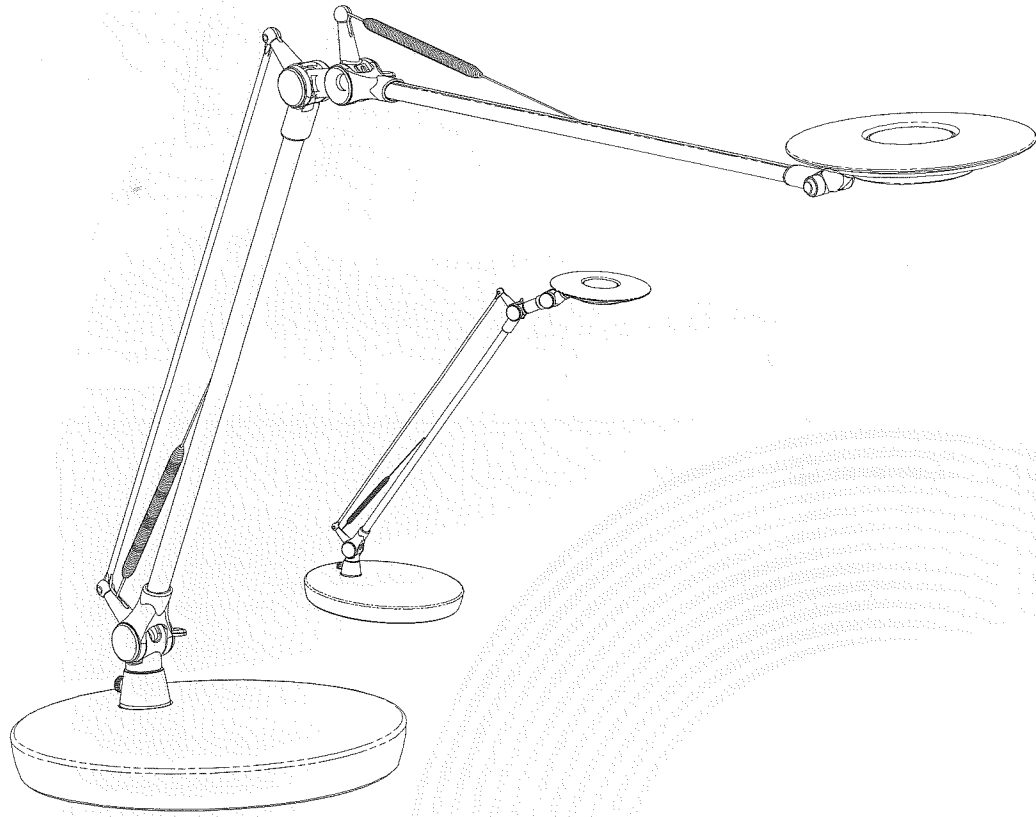
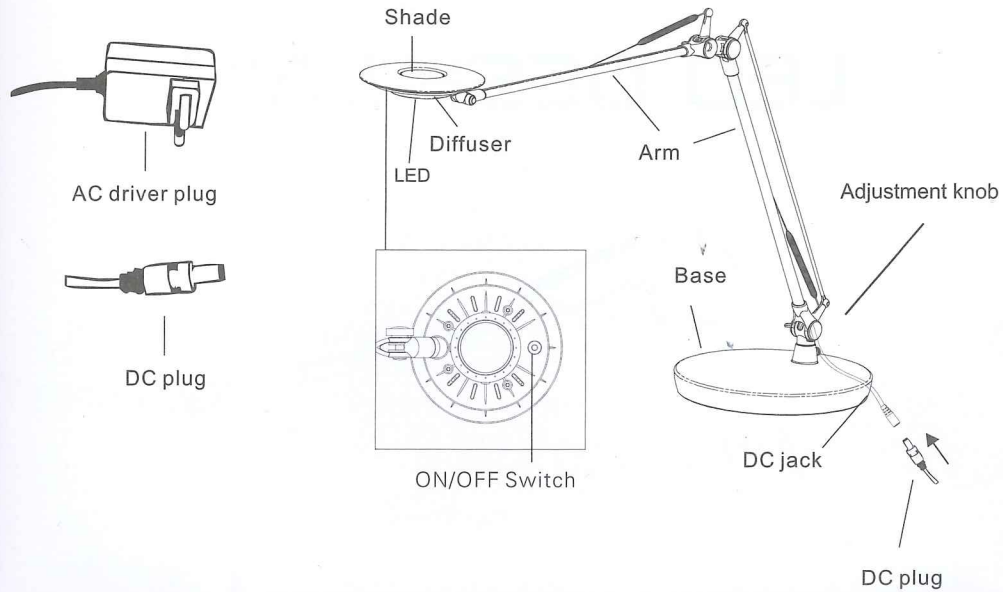


# LED DESK LAMP



# 1. Product Description



## General Specification

Model	Arey Single/Double arm
Color Temperature	3700~4100K
Light Output	300 lm
CRI	≥ 80
Power	DC 10.5V, 0.55A
Power consumption	6 W



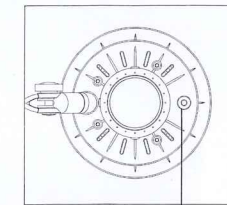
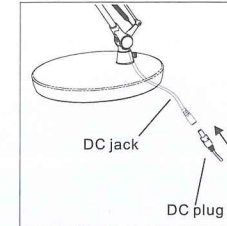
**" Use only the power supply provided"**

Using a power supply other than the power supply included in this packaging will void the product warranty.

# 2. Features and Operation

## Installation:

1. Remove the desk lamp body, base, and power supply from package.
2. Insert lamp body into base.
3. Insert the DC plug into the DC jack .
4. Insert the AC driver plug to the outlet to ensure the power supply has an electrical connection.
5. Turn the light on/off by touching the on/off switch
6. Adjustable range for the arm:
  - Make sure to hold the base when adjusting the arm.
  - The maximum adjustable range for the arm is 90 degrees. You can adjust the arm to any angle by turning the knob at the bottom within the max adjustable range.
  - Adjustable range for the shade is 270 degrees clockwise/counter clockwise; 270 degrees up/down.



ON/OFF Switch

