

NIK

*Nik can integrate within, below or clamp on to your worksurface to provide convenient power at the ready. Choose from three configurations of outlets featuring up to two AC receptacles or four USB charging ports to support your unique power needs. **Proudly designed and manufactured in Grand Haven, Michigan.***



NIK

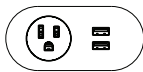
Features

- Choose from three standard configurations of power receptacles
- Three mounting options available
- Includes both standard (1.5A) and fast-charging (2.4A) USB ports for rapid re-charging
- Gradually powers down as charging cycles end to prevent over-heating and/or over-charging
- Tool-free installation for clamp-mounted units

Specifications

AC receptacles:	120V, 15A
USB Charge Ports:	2.4A and 1.5A, Type A
Plastic Cord:	6' or 10' 14/3 AWG PVC cord, straight plug
Strain relief:	straight
Max. surface thickness:	clamps on or insets into surfaces of 3/4" – 1-1/4" thickness

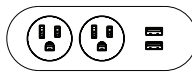
Configurations



1x AC receptacle
& 2x USB



1x AC receptacle
& 4x USB



2x AC receptacles
& 2x USB

Mountings



In-surface

(Available Q4 2020)



Under-surface



Clamp-on

Finish



White

AC Receptacle Color

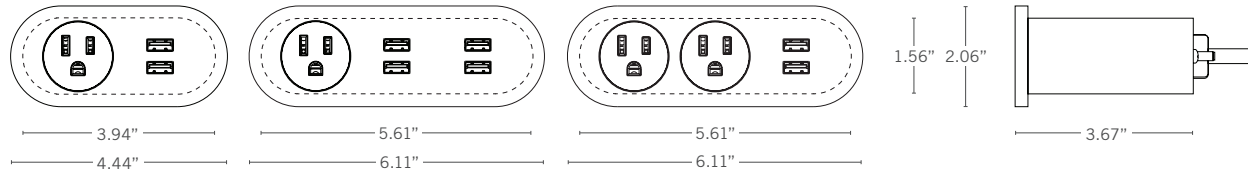


White

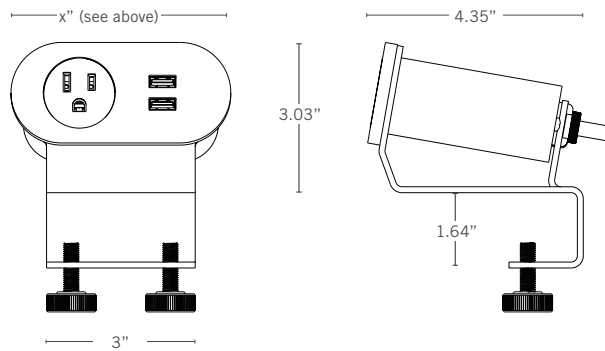
NIK

Dimensions

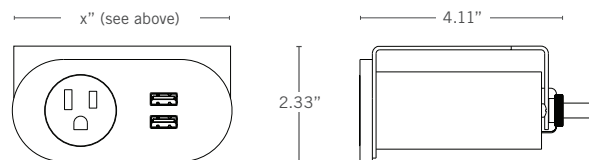
Face Plates/In-surface mount



Clamp-on mount



Under-surface mount



Specifying Notes

- AC receptacles are standard (south) orientation (ground pin down)

Certifications

- UL962A listed
- UL 1310 listed power supply
- FCC CFR-47 Part 15 Class B
- Canada C22.2 308-18
- TAA
- USB ports compliant to USB-IF BC 1.2

Warranty

Nik is warranted for two years from the date of manufacture.

Lead Time

3-day lead time available for the following configuration:

- Clamp mount 2x AC receptacles/2x USB with white housing/white receptacles, standard (south) outlet orientation and 6' white plastic cord. Limit 10 units. (Part number: NIK.AC.AC.USB.WT.OUTLET.WHITE.BODY.6W.S.CM)

All other configurations ship within our standard 10-day lead time (excluding special orders).