

NIK

Nik can be mounted through, below or clamp onto your worksurface to provide convenient power at the ready. Choose from four configurations of outlets featuring up to two AC receptacles or four USB charging ports to support your unique power needs. And with 33 finish color options available, Nik blends tastefully with your furniture or can serve as a standout pop of color on your desktop landscape.



NIK Power Unit

FEATURES

- Choose from four standard receptacle combinations of AC outlets and USB charge ports.
- USB charge ports gradually power down as charging cycle ends to prevent overheating and/or over-charging.
- Includes both standard 1.5A and fast-charging 2.4A USB ports for rapid charging.
- Clamp mount installs on worksurface without tools.
- Proudly designed and manufactured in Grand Haven, Michigan.

SPECIFICATIONS

AC RECEPTACLES:
120V, 15A

USB CHARGE PORTS:
dedicated Type-A connector
5V, 1.5A and 2.4A

CORD:
6' or 10' PVC cord in black or white, straight plug standard

WOVEN CORD (OPTION):
10' fabric cord in 4 colors, low-profile, 45° straight plug

STRAIN RELIEF:
straight, 90° available as special order

AC RECEPTACLE COLORS:
white, linen or black

MATERIAL:
powder coated aluminum

WARRANTY:
2 years

CERTIFICATIONS:
UL962A listed; UL1310 listed power supply; Canada C22.2 308-18; FCC CFR-47 Part 15 Class B; TAA; BAA; USB ports compliant to USB-IF BC 1.2

FINISHES

WHITE	CURRENT	SALMON	PORCELAIN	SILVER SAGE	MARINE
SILVER	CRANBERRY	CLAY	FLAX	JUNIPER	SKY
STORM	GRAPE	PUMPKIN	GOLDENROD	SPRUCE	TRANQUIL
ASH	MERLOT	CLEMENTINE	DIJON	TEAL	
COAL	RAISIN	CAYENNE	PINEAPPLE	GULF	
BLACK	EGGPLANT	PAPRIKA	KIWI	OCEAN	

WOVEN CORD COLORS



IVORY



GRAPHITE



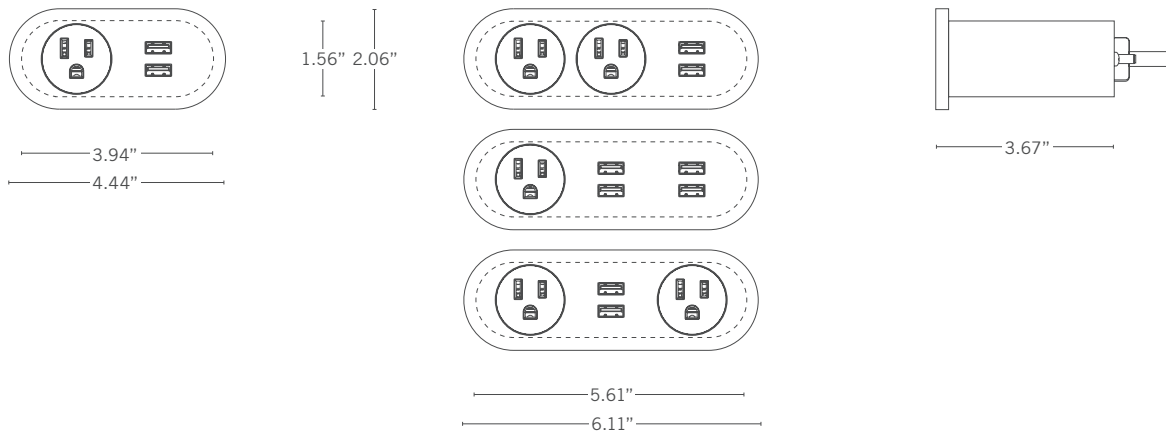
INDIGO



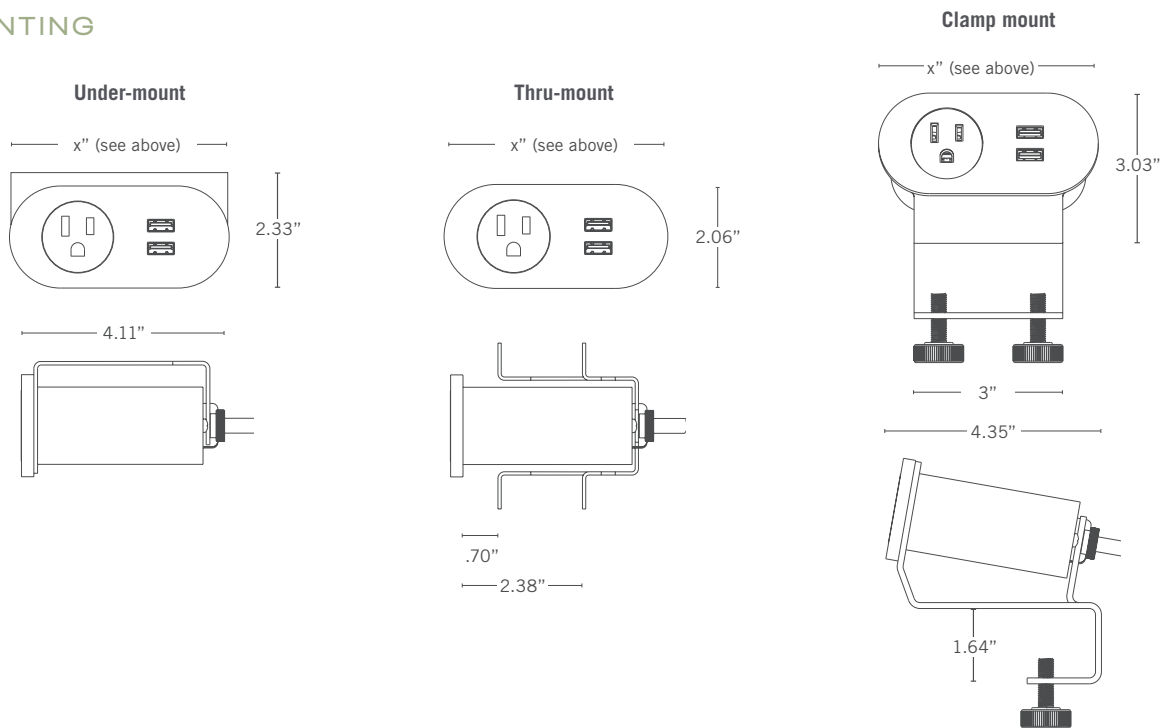
YELLOW

NIK Power Unit

CONFIGURATIONS + DIMENSIONS



MOUNTING



SUSTAINABILITY NOTES

- Made with fully-recyclable aluminum. Please contact your local county or municipality to determine your local recycling options.

For more information about our products, please visit
lightcorp.com.

We're social!

Instagram and Facebook: @lightcorp

LinkedIn: [linkedin.com/company/light-corporation](https://www.linkedin.com/company/light-corporation)

CONTACT US

Factory + Headquarters

14800 172nd Avenue
Grand Haven, Michigan 49417

For quotes, specifications, or general product inquiries:

800.526.5658 (option 1)
insidesales@lightcorp.com

For orders, questions about existing orders, or after sales care:

800.526.5658 (option 2)
customerservice@lightcorp.com

www.LightCorp.com