

LIGHTCORP

# PIPER

Comprised of a three-step soft touch dimming interface and selectable color temperature ranging from 2700 – 6000K, Piper provides a spectrum of illumination from warm to cool providing the perfect light from day to night. An integrated USB port is housed in its base, making for readily-accessible electronic charging. A manual timer allows you to set a 50-minute automatic shutoff to conserve energy use.



# PIPER Desk Light

## FEATURES

- Color temperature selection ranges from 2700K–6000K with a three-step brightness adjustability for output control.
- The programmable shut-off feature comes standard and will turn the fixture off after 50 minutes of continuous use.
- Built-in USB port allows for device charging.

## SPECIFICATIONS

**ENERGY CONSUMPTION:**  
9.5 system watts

**NUMBER OF LEDs:**  
36 fractional LEDs

**LIGHT OUTPUT:**  
511 lumens (max.)

**LED RATED LIFESPAN:**  
> 30,000 hours

**COLOR TEMPERATURES:**  
2700K/4500K/6000K

**COLOR RENDERING INDEX:**  
82

**BRIGHTNESS ADJUSTABILITY:**  
3-step: 100%, 63%, 30%

**PROGRAMMABLE SHUT OFF:**  
programmable 50-minute shut off

**USB CHARGE PORT:**  
Type-A connector 5V, 1.2A max.

**ARM OPTIONS:**  
single

**POWER SUPPLY:**  
16-watt wall transformer

**CORD:**  
4' 11" white

**MATERIAL:**  
aluminum and plastic

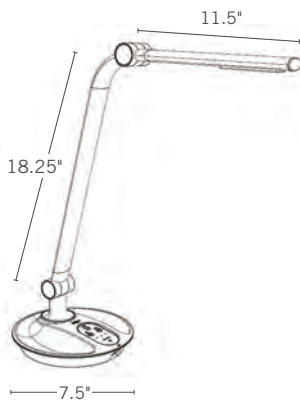
**CERTIFICATIONS:**  
ETL listed: compliant to UL 153 & CSA C22.2 No. 250.4; FCC Part 15 Class B; TAA

**WARRANTY:**  
3 years

## FINISH

WHITE

## DIMENSIONS



# PIPER Desk Light

## PHOTOMETRIC DATA

Footcandle outputs measured at 15" from the worksurface at 6000K.

	18"	12"	6"	CL	6"	12"	18"
12"	10	20	34	43	34	19	9
6"	14	33	69	95	66	31	13
CL	16	40	92	<b>130</b>	87	37	15
6"	14	32	67	89	63	30	13
12"	9	19	33	45	31	18	9

## SUSTAINABILITY NOTES

- Made with fully-recyclable aluminum and plastic. Please contact your local county or municipality to determine your local recycling options.
- Energy-saving features such as programmable shut-off and dimming included
- Lower power consumption
- Mercury-free
- Potential LEED points. For more LEED information please visit <https://new.usgbc.org/leed-v41>

---

## ACCESSORIES



3' Cord extender

For more information about our products, please visit  
[lightcorp.com](http://lightcorp.com).

We're social!

Instagram and Facebook: @lightcorp

LinkedIn: [linkedin.com/company/light-corporation](https://www.linkedin.com/company/light-corporation)

---

## CONTACT US

### **Factory + Headquarters**

14800 172nd Avenue  
Grand Haven, Michigan 49417

### **For quotes, specifications, or general product inquiries:**

800.526.5658 (option 1)  
[insidesales@lightcorp.com](mailto:insidesales@lightcorp.com)

### **For orders, questions about existing orders, or after sales care:**

800.526.5658 (option 2)  
[customerservice@lightcorp.com](mailto:customerservice@lightcorp.com)

[www.LightCorp.com](http://www.LightCorp.com)