

LIGHTCORP

# PIPER

---

Piper provides a spectrum of illumination from warm to cool— giving the perfect light from day to night. Its' generous feature set includes a three-step soft touch dimming interface, selectable color temperature ranging from 2700K- 6000K, an integrated USB port is housed in its base, and a manual timer that conserves energy use.

## FEATURES

- Selectable color temperature
- Programmable timer
- USB charging
- 3-step dimming



# PIPER

## SPECIFICATIONS

**ENERGY CONSUMPTION:**  
9.5 system watts

**NUMBER OF LEDS:**  
36 fractional LEDs

**LIGHT OUTPUT:**  
511 lumens (max.)

**PEAK FOOTCANDLES:**  
130; measured from 15"  
from the work surface at  
6000K

**EFFICACY:**  
41 LM/W

**LED RATED LIFESPAN:**  
> 50,000 hours

**COLOR TEMPERATURES:**  
2700K/4500K/6000K

**COLOR RENDERING  
INDEX:**  
82

**DIMMING:**  
3-step; 100%, 63%, 30%

**AUTO SHUT OFF:**  
Programmable shut-off  
after 50 minutes

**USB CHARGE PORT:**  
Type-A connector; 5V, 1.2A  
max

**ARM OPTIONS:**  
single

**POWER SUPPLY:**  
16-watt wall transformer

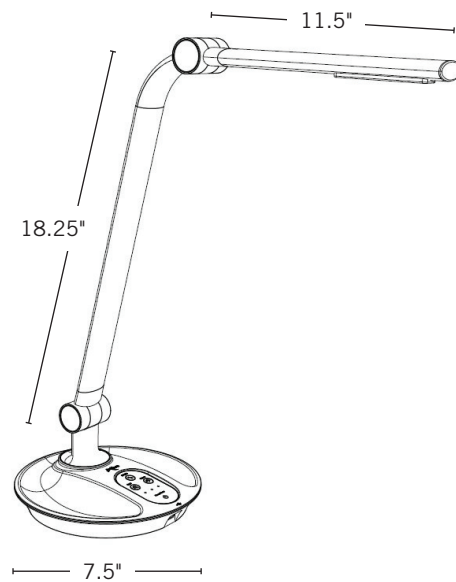
**CORD:**  
4' 11" white

**MATERIAL:**  
aluminum and plastic

**CERTIFICATIONS:**  
ETL listed: compliant to UL  
153 & CSA C22.2 No. 250.4;  
FCC Part 15 Class B; TAA

**WARRANTY:**  
3 years

## DIMENSIONS



## PHOTOMETRIC DATA

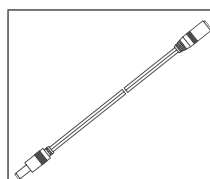
Footcandle outputs measured at 15" from the work surface  
at 6000K.

	18"	12"	6"	CL	6"	12"	18"
12"	10	20	34	43	34	19	9
6"	14	33	69	95	66	31	13
CL	16	40	92	<b>130</b>	87	37	15
6"	14	32	67	89	63	30	13
12"	9	19	33	45	31	18	9

## FINISH

WHITE

## ACCESSORIES



3' cord extender

## SPECIFYING NOTES

- The arm has a 15" reach from the front of the base to the fixture head.
- Total weight of the fixture is 2.5 lbs.
- The cord extender accessory extends the total cord length to 7' 11" and is available in black only.
- This fixture is not field serviceable.

## SUSTAINABILITY NOTES

- Made with fully-recyclable aluminum and plastic. Please contact your local county or municipality to determine your local recycling options.
- Energy-saving features such as programmable shut-off and dimming included
- Lower power consumption
- Mercury-free
- Potential LEED points. For more LEED information please visit <https://new.usgbc.org/leed-v41>