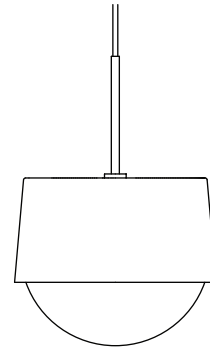


Atlas instructions

by Most Modest™

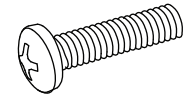
Included in Package:



Atlas lamp



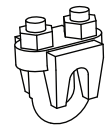
Pin tool



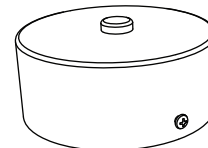
2x Screws



3x 2-way connectors



Strain relief clamp



Canopy kit

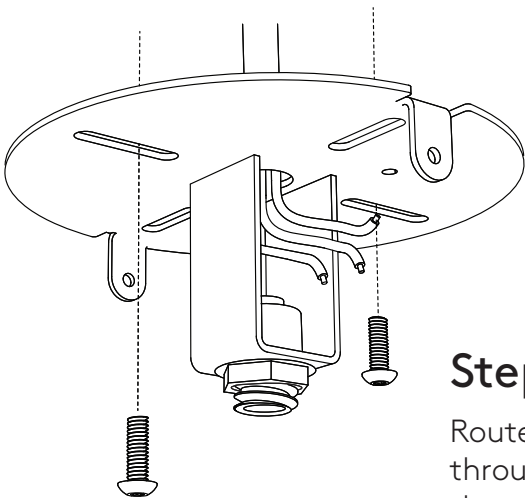
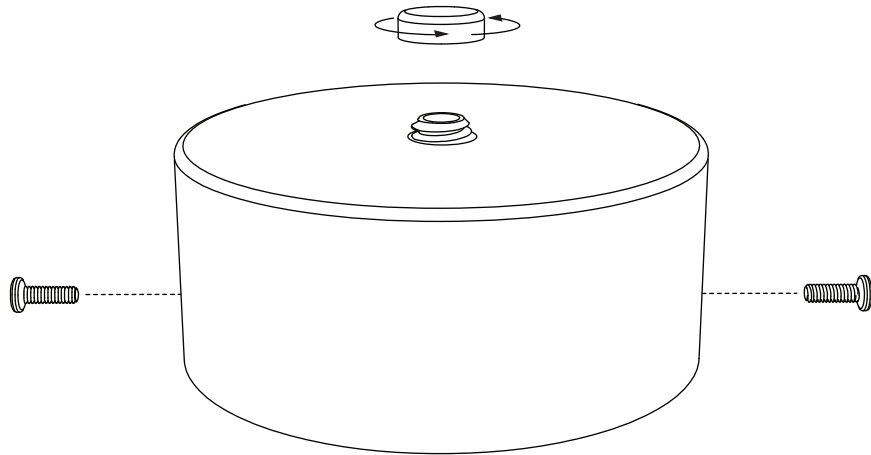


Switch

Step 1

Disassemble canopy kit by removing the canopy nut and two side screws. **Do not discard any components.**

For wireless switch programming instructions, jump to Step 9.



Step 2

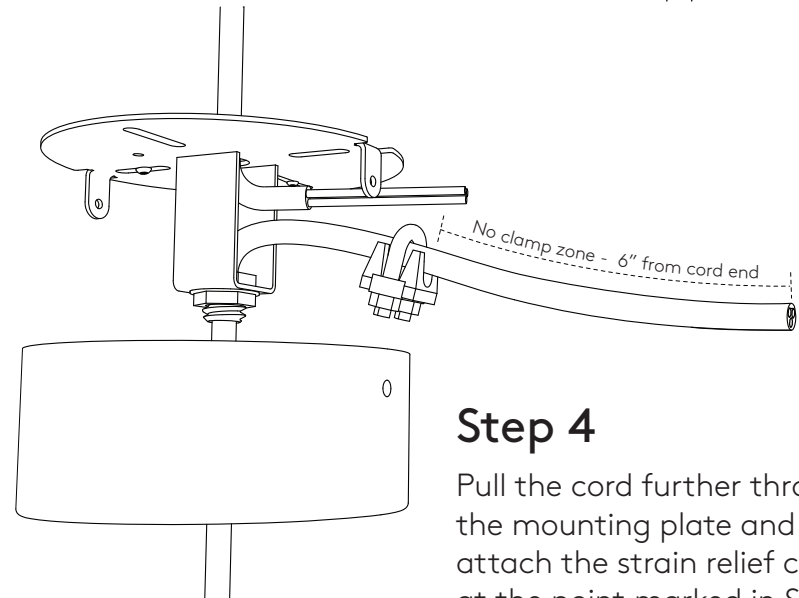
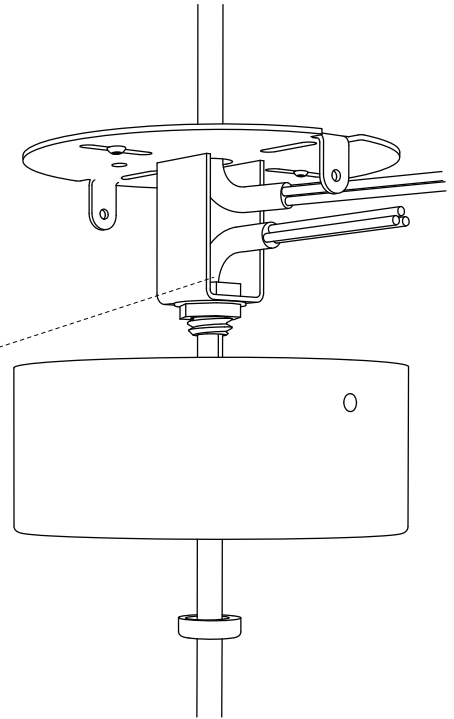
Route the building wiring through the center hole of the canopy mounting plate and attach the plate to the ceiling junction box using included screws. Hand-tighten screws to a torque of 0.67 Nm (0.50 ft-lbs).

Note: If screwing to ceiling without junction box, suitable anchors to be provided by an installer.

Step 3

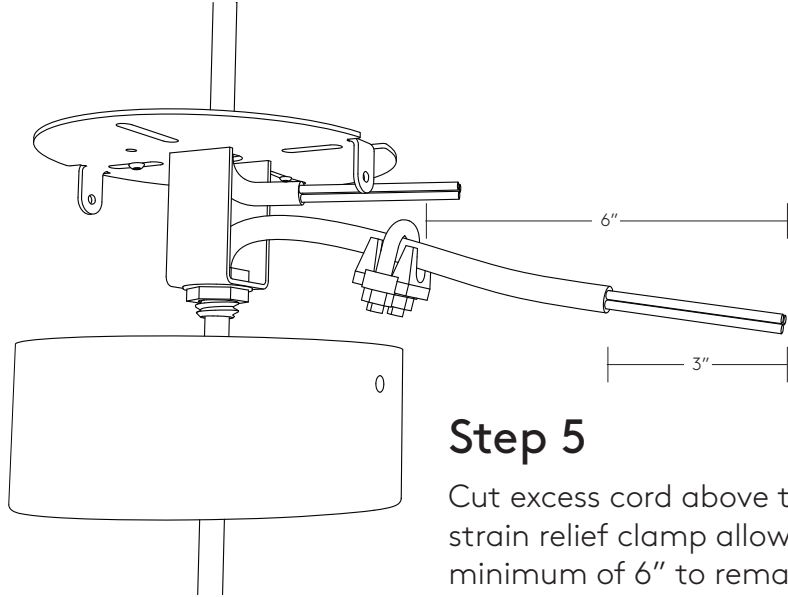
Feed the lamp cord through the canopy nut, the canopy cover, and through the bottom of the mounting plate, and pull the cord until the lamp reaches desired height.

Mark the cord where it meets the top of the mounting plate bushing.



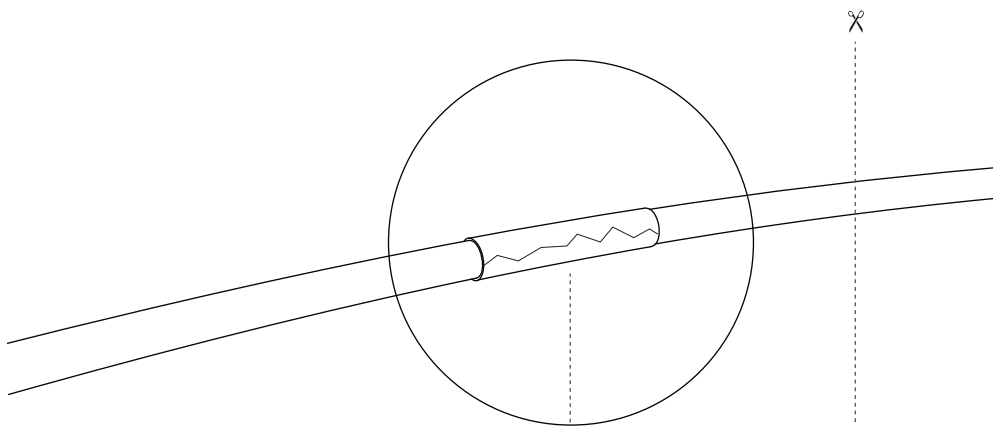
Step 4

Pull the cord further through the mounting plate and attach the strain relief clamp at the point marked in Step 3 and tighten. **Note:** The clamp cannot be closer than 6" from the end of the cord.



Step 5

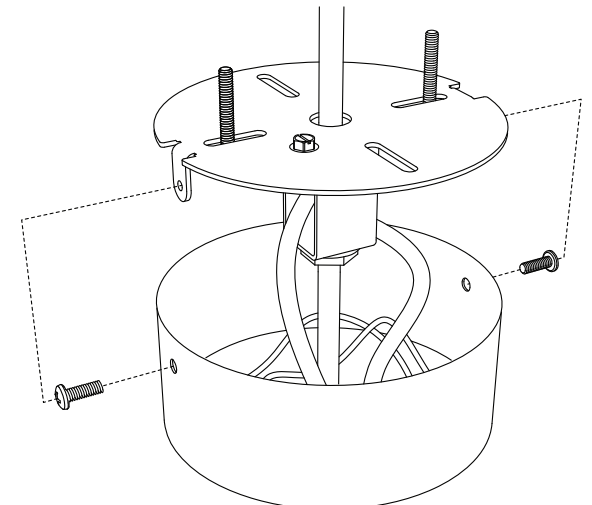
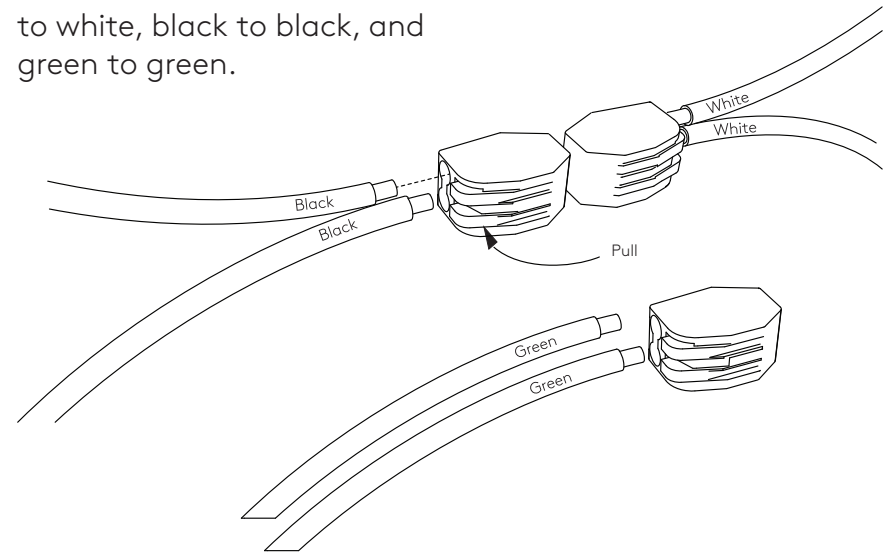
Cut excess cord above the strain relief clamp allowing a minimum of 6" to remain. Strip outer jacket of the cord back to three inches. Feed cord back through the mounting plate until the strain relief rests on the mounting plate, allowing the lamp to hang.



Tip: Wrap the cord with electrical tape before cutting to prevent the fabric sleeve from fraying.

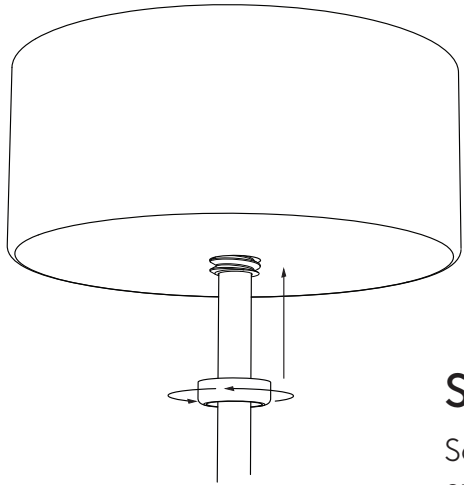
Step 6

Connect the cord from the lamp to the building AC cord using the included 2-way connectors. Connect white to white, black to black, and green to green.



Step 7

Tuck wires and wire connectors into the canopy cover and slide the cover up, securing to the mounting plate with included screws.

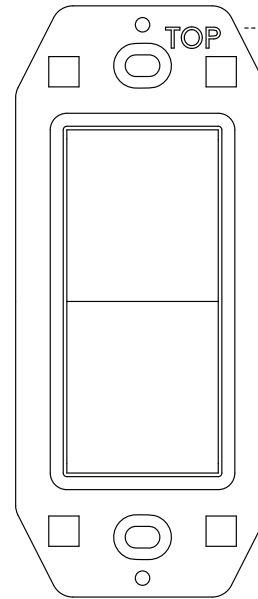
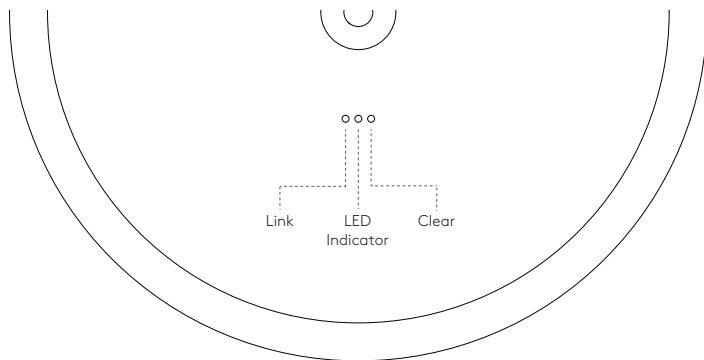


Step 8

Screw trim bushing onto the exposed thread after canopy cover is in its installed position.

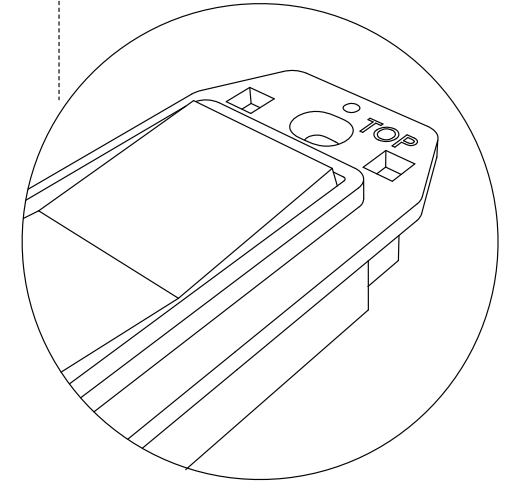
Step 9

Locate the three holes on the top of the shade, press and hold the "Link" button for 3 seconds using the included Pin Tool. The light will flash on and off, indicating "Link Mode".



Step 10

With the light still in Link Mode, rapidly press the "top" side of the switch 3 times.



Step 11

If Step 10 is successful, the light will pause for 3 seconds and then the flashing will continue to flash for 30 seconds remaining in Link Mode. If you wish to connect additional switches to the light, please repeat Step 11 with the next switch.

Step 12

Once all desired switches are linked, let the light continue to flash for 30 seconds without pressing a switch. After the flashing has stopped, the switches will be linked and the light will be ready for use.