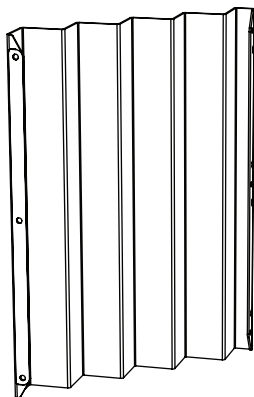


# Tess Planter

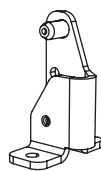
instructions

by Most Modest™

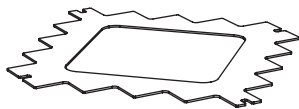
## Included in Package:



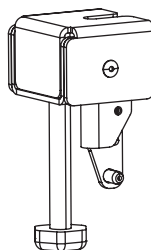
4X panels



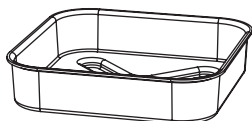
8X top/shelf cam locks



tray support



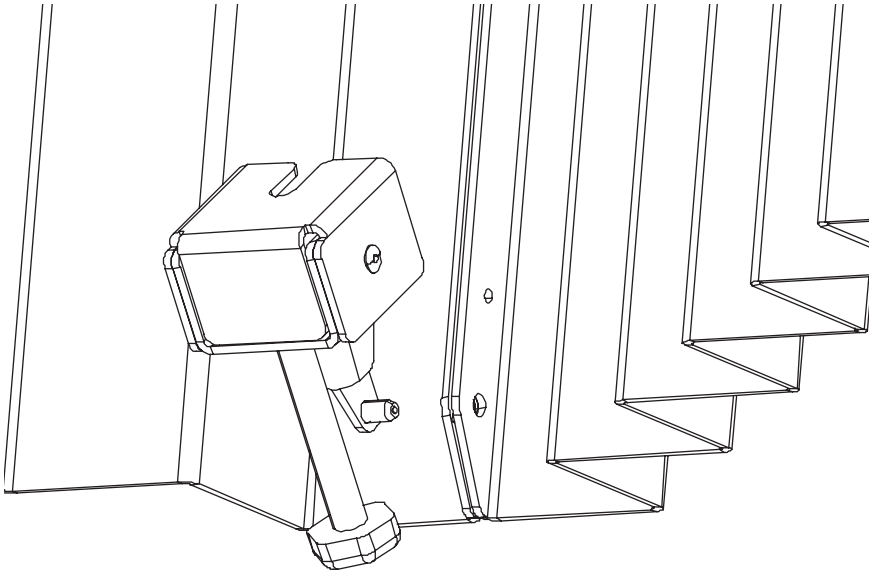
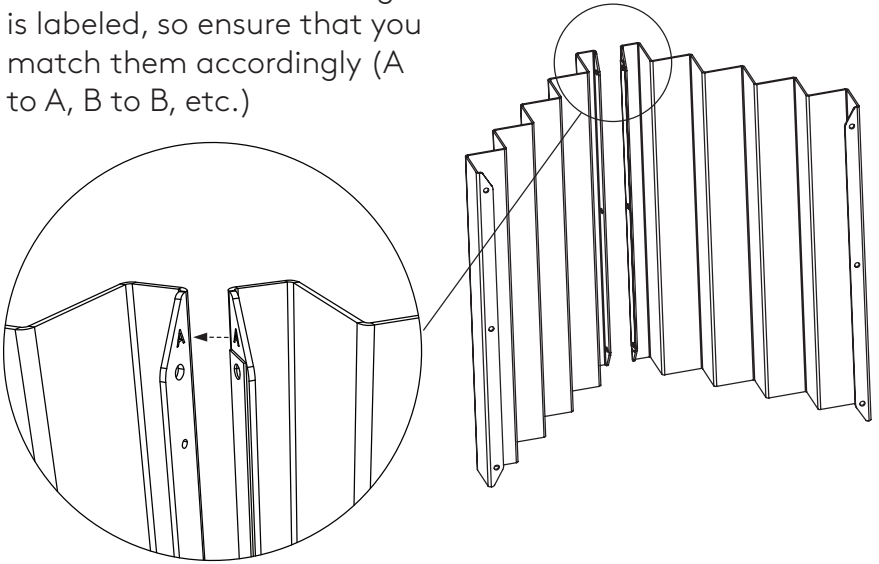
4X leveler cam locks



tray liner

# Step 1

Set two panels next to each other as shown. Each flange is labeled, so ensure that you match them accordingly (A to A, B to B, etc.)

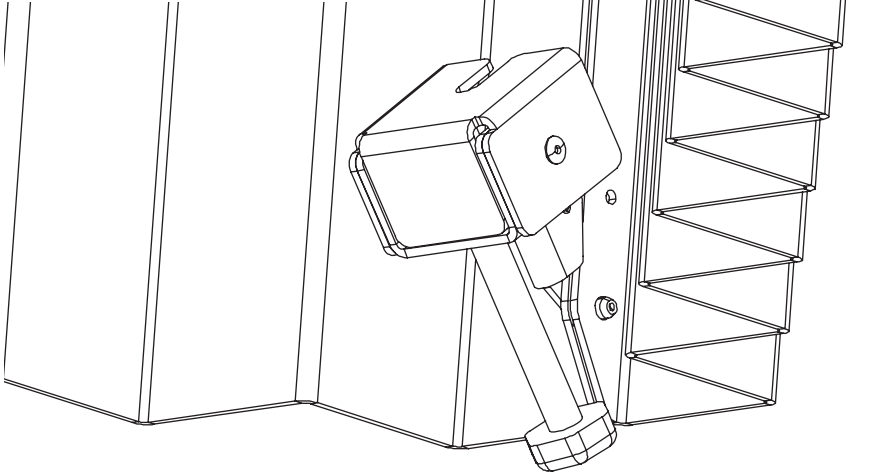


# Step 2

Begin assembly with the leveler cam locks first. Insert a leveler cam lock into the bottom hole from left to right.

## Step 3

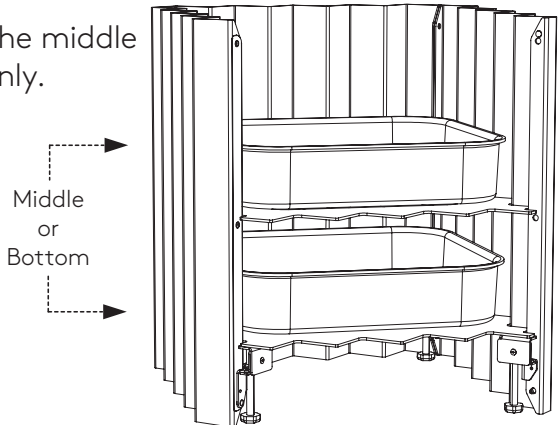
Engage cam by pivoting it upward until it stops. Assemble all four panels in this manner.

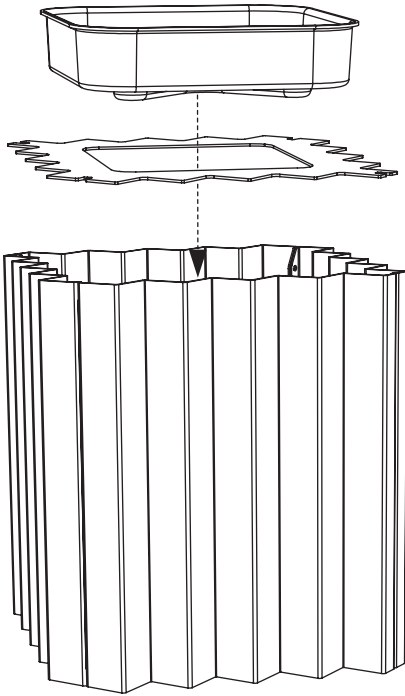


## Step 4

Decide at which height you want your tray. If you want your tray in the bottom position, proceed to Step 5 now. If you want your tray at the middle-height position, skip to Step 6, then go back to Step 5.

**Note:** Tray can be in the middle or bottom positions only.





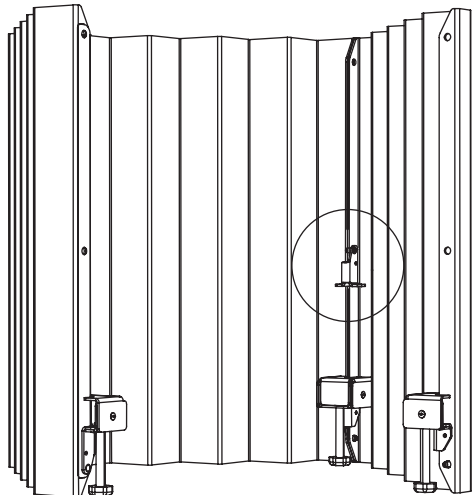
## Step 5

Insert tray support from top. Then insert tray liner.

**Note:** Tray contents limited to 100lbs.

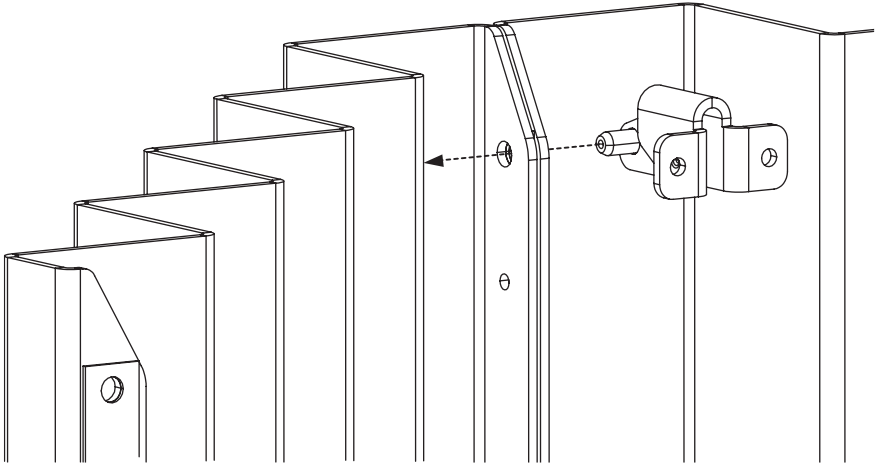
## Step 6

If the middle shelf position is desired (for smaller plants), use the extra set of top/shelf cam locks in the center holes.



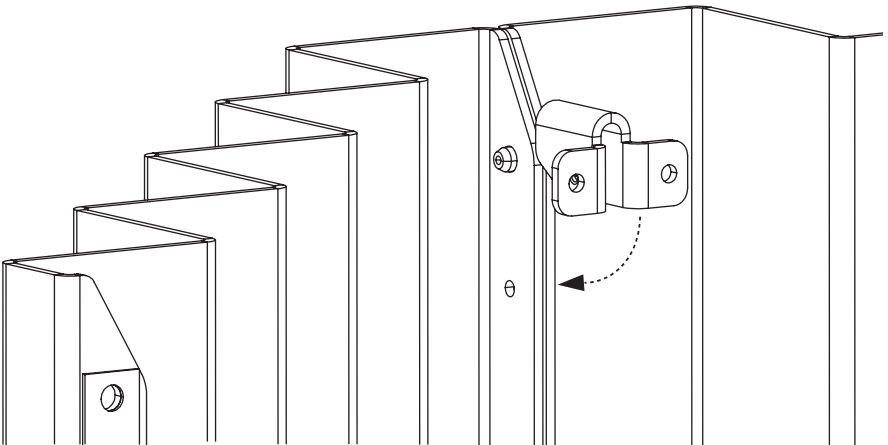
## Step 7

Insert top cam through the holes at the top of every panel, joining two panels together.



## Step 8

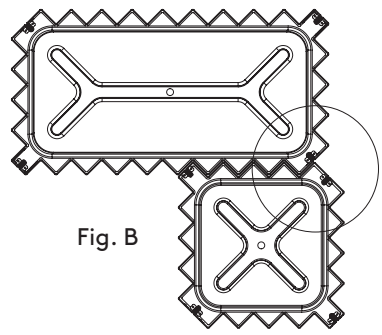
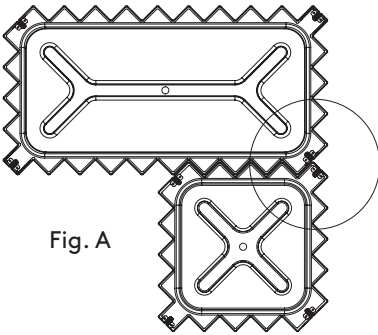
Engage cam by pivoting it downward until it clicks.



# Configuring Multiple Tess Planters

Tess is intended to nest with other Tess planters as shown in **Fig. A**. In some configurations your Tess planter may end up being offset, as shown in **Fig. B**.

If you are unable to fix the problem by simply rotating a square Tess, follow the next steps to rebuild **ONLY** the rectangular Tess unit.



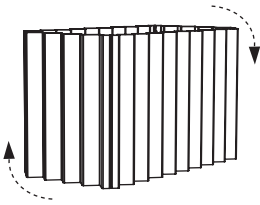
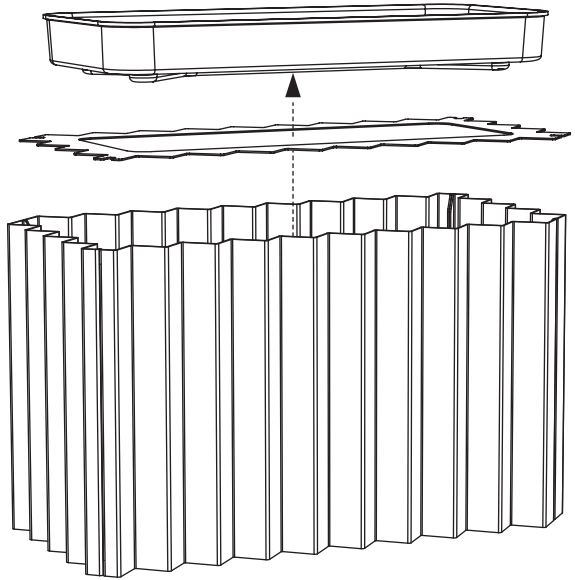
## Step 1

Remove top cams.



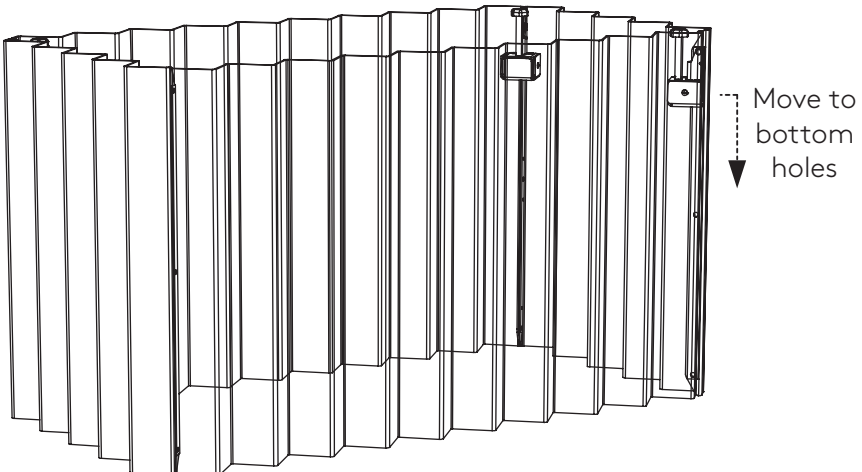
## Step 2

Remove the tray liner and tray support, and then flip Tess upside down, so that the bottom side is facing upward.



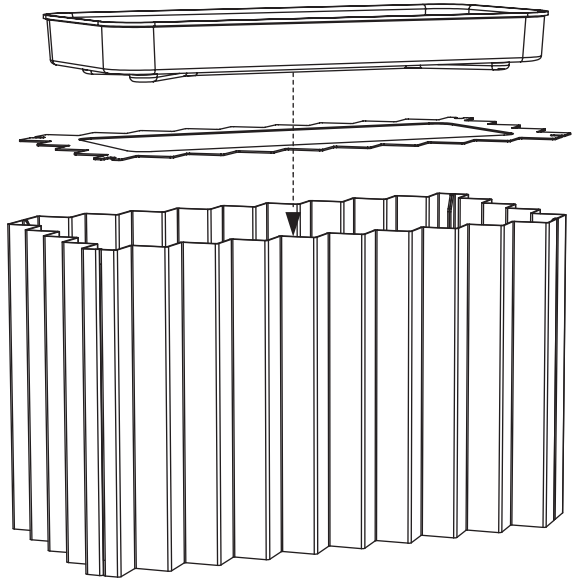
## Step 3

One at a time, move each leveler cam lock to the new bottom holes (the former top cam hole positions).



## Step 4

Insert tray support from the top. Then insert the tray liner.



## Step 5

Re-install top cams.

