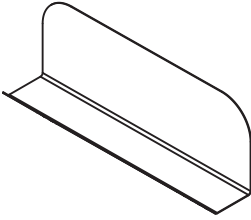
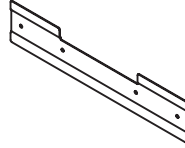


Walter instructions

Included in package:



Walter Shelf



Cleat

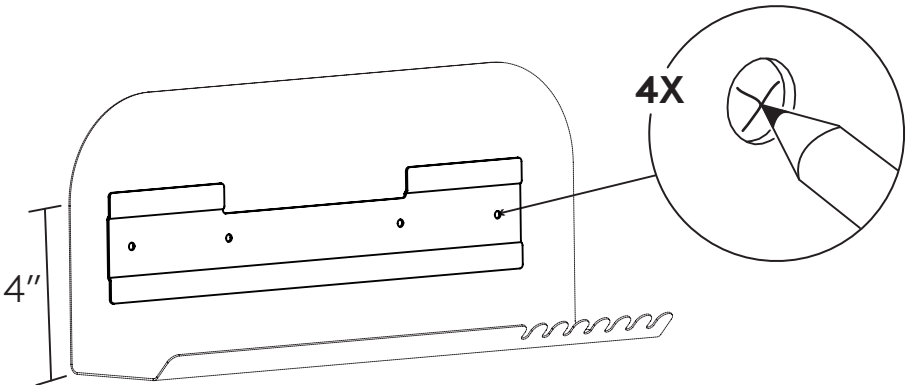


4X Drywall Anchor



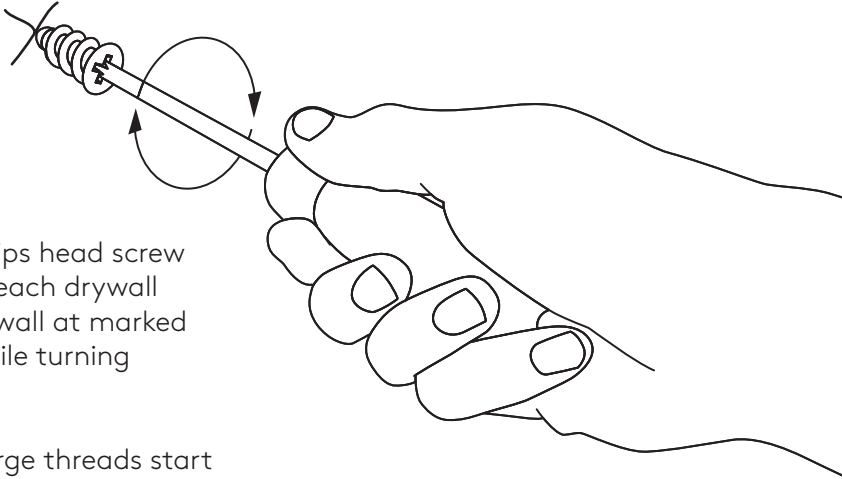
4X Screw

Step 1



Using provided wall cleat, measure and mark center of each hole 4" above intended shelf height.

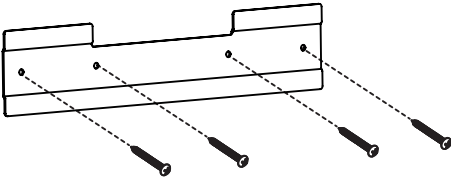
Step 2



Using a Phillips head screw driver, push each drywall anchor into wall at marked locations while turning clockwise.

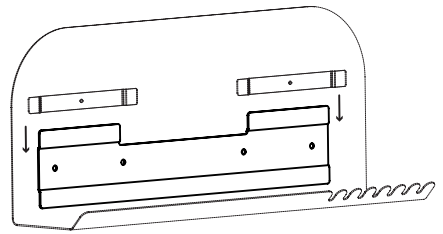
When the large threads start to engage the wall make sure to keep applying pressure so the threads don't spin out. Keep turning until anchor is flush with wall.

Step 3



Place cleat back onto wall and hand tighten metal screws into drywall anchors.

Step 4



Hang your new Walter, stand back, and admire your handywork!