

MACK

Equipped with a slide-operated dimming control, Mack provides intuitive brightness selection within a sleek and minimalist design. Featuring a 180 degree rotating head shade and an arm that bows a full 83 degrees, Mack can fold, bend and twist to provide extra illumination to work surfaces that are tight on space. An integrated USB port housed in its base makes for easy device charging.

FEATURES

- Superior articulation
- USB charging
- 5-point, slide-control dimming



MACK

SPECIFICATIONS

ENERGY CONSUMPTION:
6.6 system watts

NUMBER OF LEDs:
24 fractional LEDs

LIGHT OUTPUT:
350 lumens

PEAK FOOTCANDLES:
100; measured from 14"
from the work surface

LED RATED LIFESPAN:
50,000 hours

COLOR TEMPERATURE:
4000K

COLOR RENDERING INDEX:
> 82

DIMMING:
100%-25%; 5-step

USB CHARGE PORT:
Type-A connector; 5V, 1A
max

ARM OPTIONS:
single

POWER SUPPLY:
12-watt wall transformer

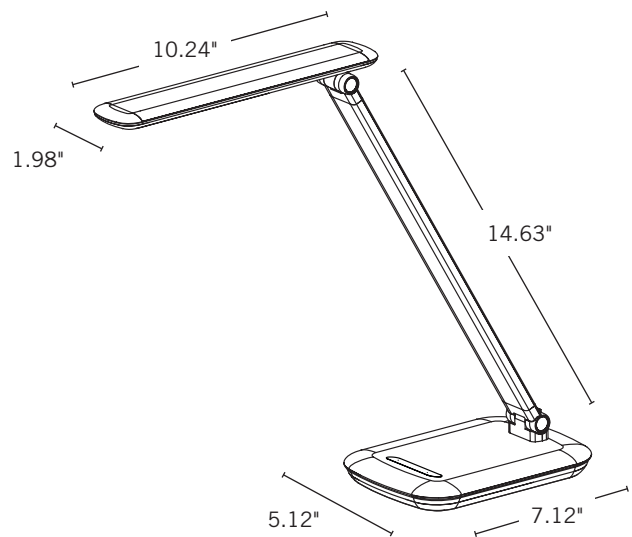
CORD:
6'2" black

MATERIAL:
aluminum and plastic

CERTIFICATIONS:
ETL listed; compliant to UL
153 & CSA C22.2 No. 250.4;
FCC/ICES Class B

WARRANTY:
1 year, excludes power
supply

DIMENSIONS



PHOTOMETRIC DATA

Footcandle outputs measured at 14" from the work surface.

	18"	12"	6"	CL	6"	12"	18"
12"	7	15	25	-	26	15	8
6"	10	24	51	-	52	26	12
CL	12	30	69	100	72	33	14
6"	10	24	53	74	54	27	12
12"	8	15	27	34	28	16	9

FINISH

GRAY

SPECIFYING NOTES

- The arm has a 17" reach from the front of the base to the fixture head.
- Total weight of the fixture is 1.98 lbs.
- This fixture is not field serviceable.

SUSTAINABILITY NOTES

- Made with fully-recyclable aluminum and plastic. Please contact your local county or municipality to determine your local recycling options.
- Dimming included as an energy-saving feature
- Lower power consumption
- Mercury-free
- Potential LEED points. For more LEED information please visit <https://new.usgbc.org/leed-v41>