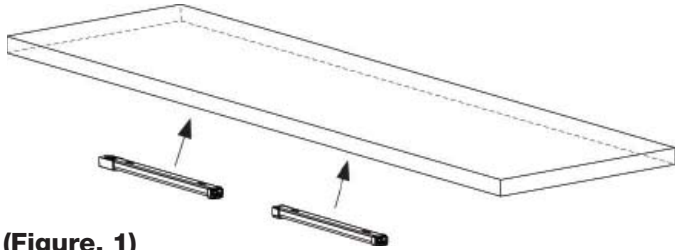
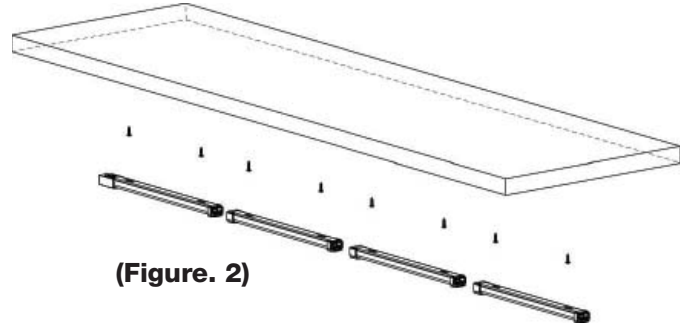




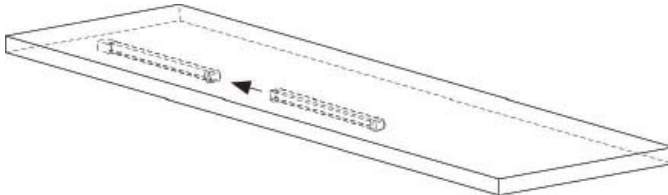
## Modular LED Instruction Sheet



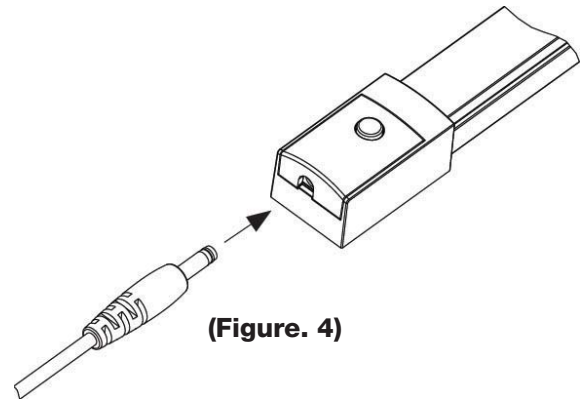
(Figure. 1)



(Figure. 2)



(Figure. 3)



(Figure. 4)

### **Magnet Mount** (Figure. 1)

1. Attach the LED w/ the on/off switch to the shelf. (The magnets are internal to the light).

### **Screw Mount** (Figure. 2)

1. Use hole space template in packaging to mark out hole locations.
2. Drive screws at each of the required locations

### **Unit Connection** (Figure. 3)

1. Connect additional LED's end to end or click together.
2. Add no more than 3 LED units to a main unit (Max 4 total per power supply).
3. Attach the end cap to the last LED in line.

### **Power** (Figure. 4)

1. Plug power supply jack into the main LED w/ on/off switch or first in line.