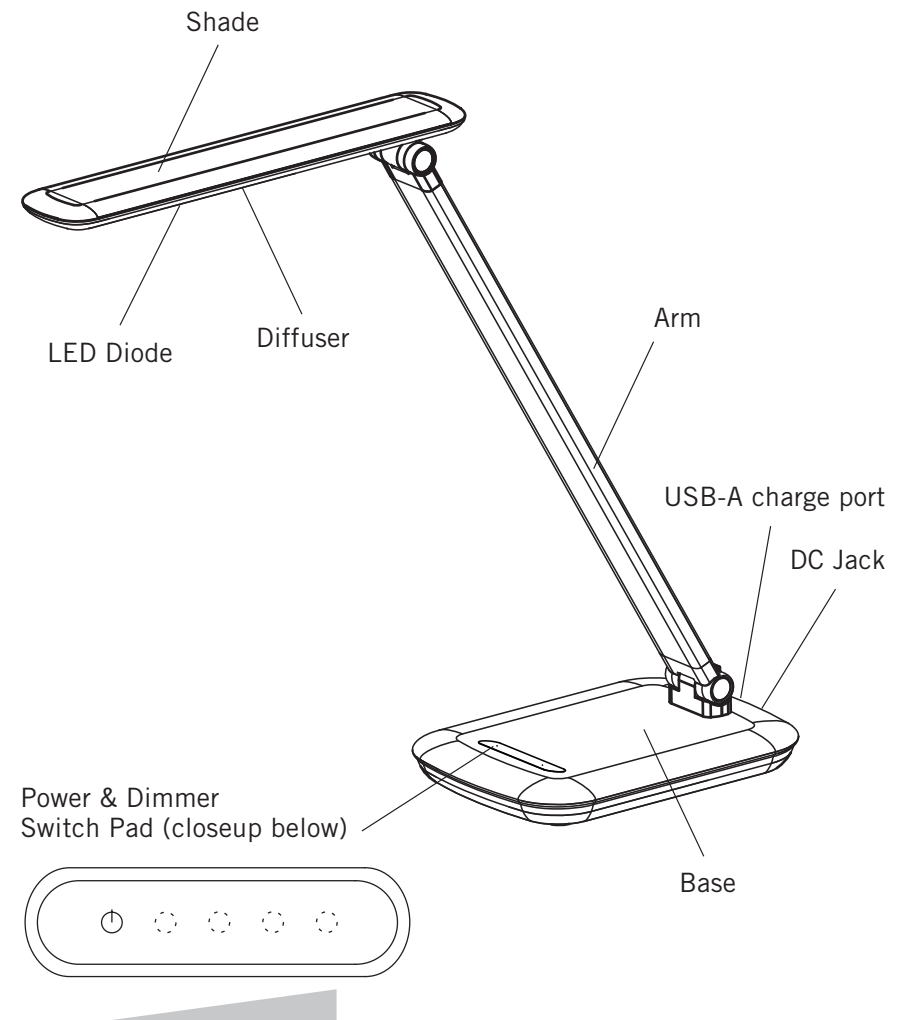


TASK LIGHT

INSTALLATION AND OPERATING INSTRUCTIONS



TASK LIGHT

INSTALLATION AND OPERATING INSTRUCTIONS

INSTALLATION:

1. Remove the desk lamp fixture and power supply from the packaging.
2. Insert the DC plug into the DC jack located on the back of the base (**Fig. 1**).
3. Insert the AC power supply into an outlet to supply power.

OPERATING INSTRUCTIONS:

To turn on the light, touch any point on the power and dimmer switch pad.

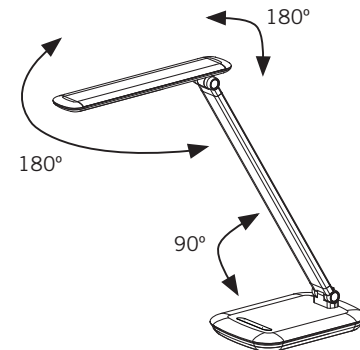
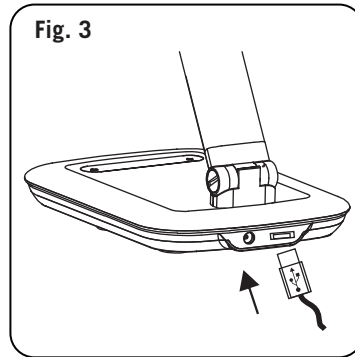
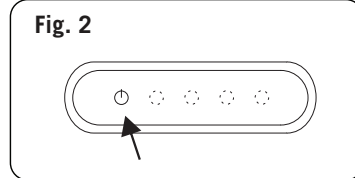
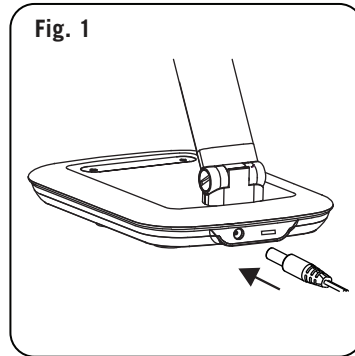
To brighten or dim the light, touch or slide your finger along any of the five points on the power and dimmer switch pad.

To turn off the light, touch and hold at the first point (**Fig. 2**) on the power and dimmer switch pad for two seconds.

To charge devices with the USB port, plug USB cord into the USB port located at the back of the base (**Fig. 3**). Note that the outlet will only charge when the lamp is powered.

ADJUSTING THE ARM OR SHADE:

- Hold the base when making any adjustments to the arm or shade.
- The maximum angle for the arm is 90 degrees. Use a coin to turn the adjustment knob locate at the base of the arm to fix into position.
- The shade can rotate up to 180 degrees left or right.



TASK LIGHT

INSTALLATION AND OPERATING INSTRUCTIONS

MAINTENANCE:

To ensure optimum performance, it is recommended to clean the lamp once per month with a soft, cotton cloth. Do not use chemical solvents as they might damage the finish of any painted surfaces.

TROUBLESHOOTING:

If the lamp does not turn on:

- Check to ensure the DC and AC plug are connected properly.

The dimmer switch is not working:

- Slow touching or sliding motion when using the power and dimmer pad.
- Ensure only fingers are used to interact with the power and dimmer pad only.

Miscellaneous issues:

- Avoid using the lamp in extreme high or low temperatures ($< -40^{\circ}\text{F}$ or $> 176^{\circ}\text{F}$)
- The included AC plug is suitable for this desk lamp only. Do not use it to power other items, or use other AC plugs to power this desk lamp.

CAUTION:

- For your protection, please read these instructions and safety warnings carefully before using the desk lamp, and retain them for future reference.
- No modifications of any kind should be made to this desk lamp. The manufacturer will not be held responsible for any damages caused by improper usage or modifications to the desk light.
- This desk lamp is not waterproof and is only suitable for indoor use.
- Do not touch the shade or the underside of the shade when the lamp is powered.
- Do not place flammable material near the desk lamp.
- In case of operation failure or broken cable, please switch off the desk lamp, unplug the power cord and contact an electrician.

Note: This equipment has been tested and found to comply with the limits for a Class B digital device, pursuant to Part 15 of the FCC Rules. These limits are designed to provide reasonable protection against harmful interference in a residential installation. This equipment generates, uses and can radiate radio frequency energy and, if not installed and used in accordance with the instructions, may cause harmful interference to radio communications. However, there is no guarantee that interference will not occur in a particular installation. If this equipment does cause harmful interference to radio or television reception, which can be determined by turning the equipment off and on, the user is encouraged to try to correct the interference by one or more of the following measures: Reorient or relocate the receiving antenna, Increase the separation between the equipment and receiver, Connect the equipment into an output on a circuit different from that to which the receiver is connected, or consult the dealer or an experienced radio/TV technician for help.