

ABEL Wall Storage

Installation Instructions

Included in the package:

- Wall Cleat
- Hooks
- Mounting Kit

Tools required:

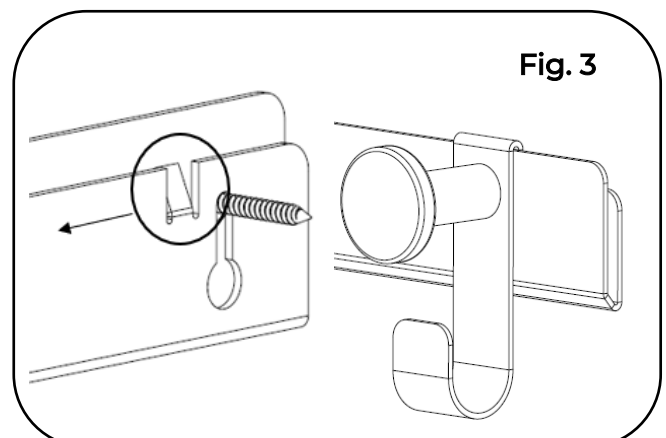
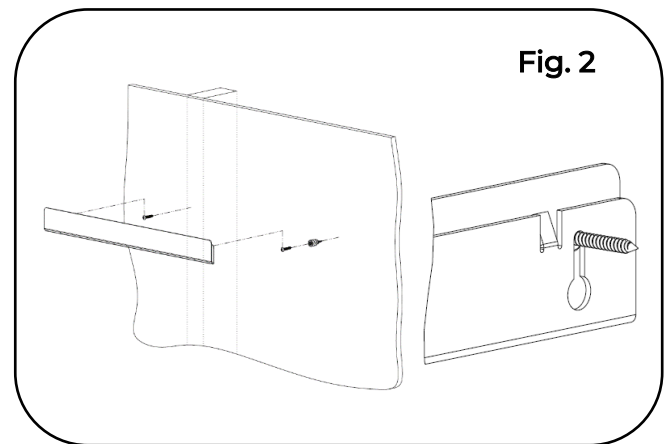
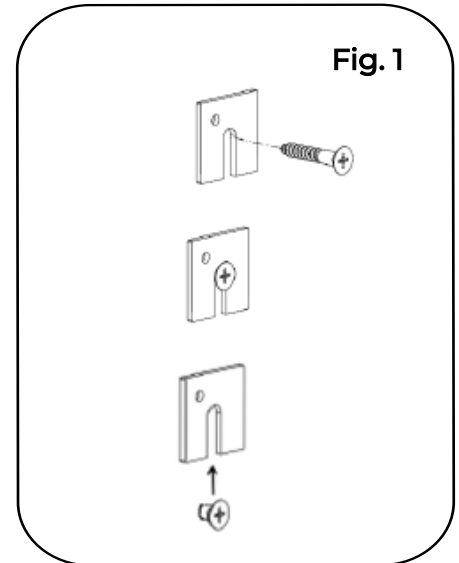
- Pencil
- Tape Measure
- Stud Finder (Stud Installations)
- Phillips Head Screwdriver
- Level

How to Install:

1. Decide height of mounting:
 - Standard coat hooks are mounted 60" from floor
 - ADA approved height is 48" MAX from floor
2. For Stud Installation: locate studs with a stud finder.
3. Measuring from the floor up to the desired mounting height, make (2) marks on the wall.
 - 16" apart for 18" model
 - 32" apart for 36" model
4. Check to ensure marks are level by holding the top edge of a level to both marks.
5. For Drywall Installation: Using ONLY the drywall anchors provided, screw anchor into drywall at each marked location.
6. Place mounting screw into the keyhole slot in Shim provided (Fig. 1)
For Stud Installation: drive screw into stud at each marked location.
For Drywall Installation: drive screw into drywall anchors installed in step 5.
7. Remove shim when screw is tight.
8. Mount product on wall by sliding the screw heads into each keyhole slot, pushing down firmly to ensure the screws are locked in place. (Fig. 2)
9. Check to ensure product is level.
10. Place hooks onto product in between the tabs, ensuring they are fully nested on the cleat. (Fig. 3)
DO NOT place hooks between keyhole slot and end of cleat.

Weight Limits:

- Hook – Not to exceed 8# total weight
 18" Wall Cleat – Not to exceed 25# total weight
 36" Wall Cleat – Not to exceed 50# total weight



ABEL Hook

Installation Instructions

Included in the package:

- Hook
- Mounting Kit

Tools required:

- Pencil
- Tape Measure
- Stud Finder (Stud Installations)
- Phillips Head Screwdriver

How to Install:

1. **Decide height of mounting:**
 - Standard coat hooks are mounted 60" from floor
 - ADA approved height is 48" MAX from floor
2. **For Stud Installations: Locate stud using stud finder.**
3. **Measuring from the floor up to the desired mounting height, mark wall.**
4. **For Drywall Installation: Using ONLY the drywall anchors provided, screw anchor into drywall at each marked location.**
5. **Place mounting screw into the keyhole slot in Shim provided (Fig. 1)**
For Stud Installation: drive screw into stud at each marked location.
For Drywall Installation: drive screw into drywall anchors installed in step 5.
6. **Remove shim when screw is tight**
7. **Place hook on wall by sliding the screw head into the keyhole slot, pushing down firmly to ensure the screw has locked in place. (Fig. 2)**

Weight Limits:

Hook – Not to exceed 8# total weight

