

Silas – Planter / Storage Bin

Installation instructions

Most Modest™
BY LIGHTCORP

Included in the package:

- 4 Side panels: 2 solid, 2 perforated
- 1 Bottom panel
- 8 Thumb Nuts
- 4 Casters (if purchased)
- 1 Wood Top (if purchased)
- 1 Watertight Tray (if purchased)

No Tools required

NOTE:

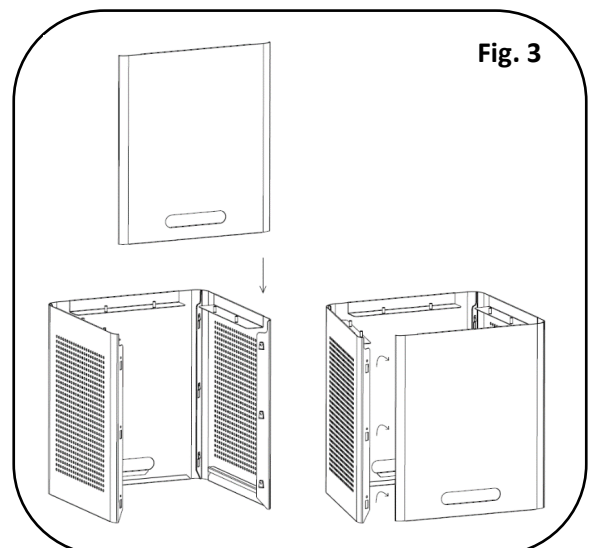
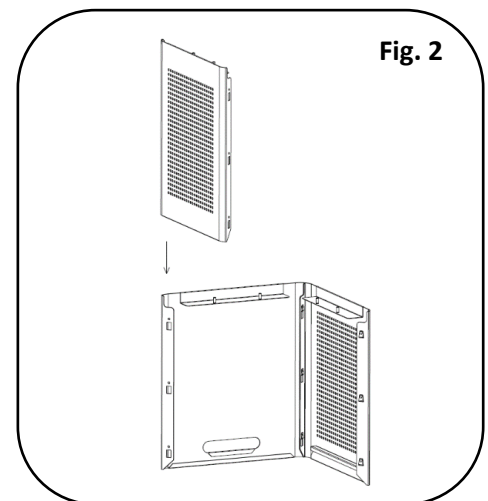
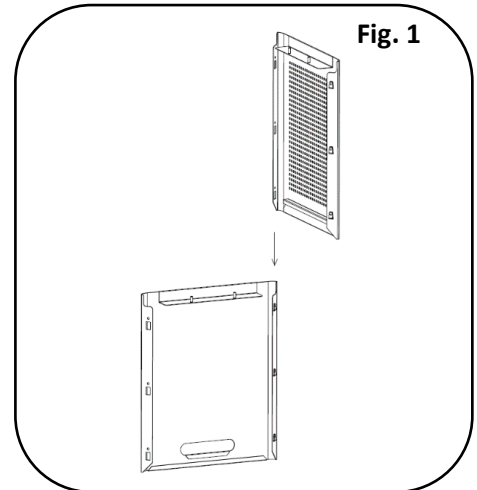
- Silas can be used as file storage, a storage cart or as a planter
- If used as a planter:
 - Must be used with a watertight liner (sold separately)
 - Do not fill directly with soil or any other planting material
 - Remove potted plants before attempting to move Silas

WARNING:

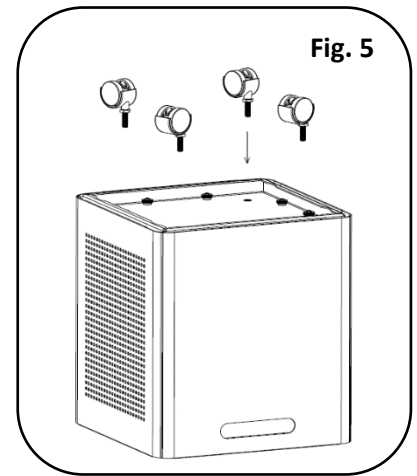
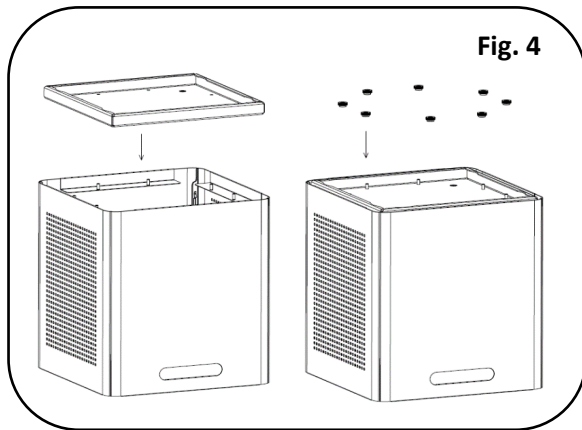
- Silas is not intended to be a seat – Do Not sit, stand or lean on Silas
- MAX weight 100 lbs. Do Not Overload
- Periodically check and tighten fasteners as needed
- Before moving product without casters, unload and carry to its new location. Do Not drag.
 - May require 2 people

How to install:

1. With handle toward floor, attach (1) solid panel with (1) perforated panel (Fig 1.)
2. Attach the second perforated panel to the other side of the solid panel (Fig. 2)
3. Attach the remaining solid panel to the unit. (Fig. 3) Continued on other side.



4. Attach the bottom of the unit with the (8) thumb nuts provided (Fig. 4). Turn upright before use.

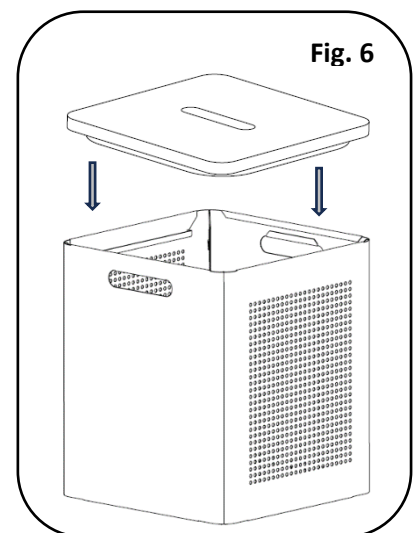


Installing Casters (if purchased)

1. Thread one caster into each of the four corners (Fig. 5) and turn upright before use.

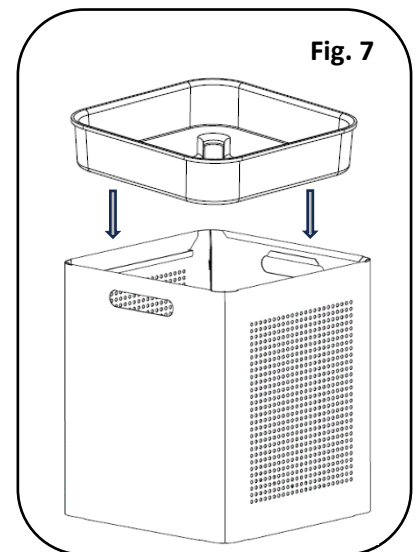
Installing Wooden Top (if purchased)

1. Make sure Silas is in the upright position and place the wooden topper onto the unit (Fig. 6)



Installing Liner (if purchased)

1. Make sure Silas is in the upright position and place the liner into the unit (Fig. 7)



Limited Warranty - 1 year

Product is warranted to be free of defects in material and workmanship.

The 1-year warranty also applies to UV fading of the powder coat.

finish. Scratches from normal wear and tear are not warranted.