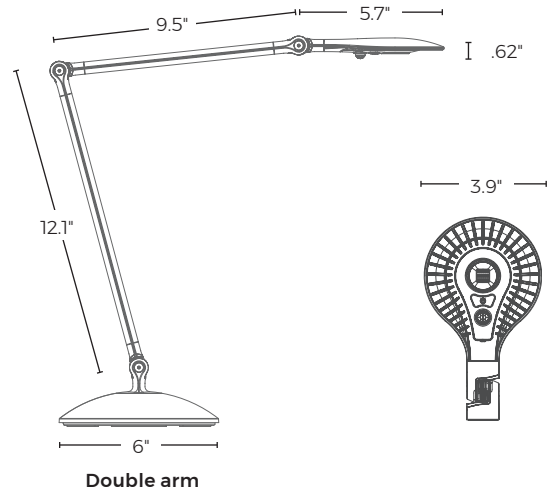
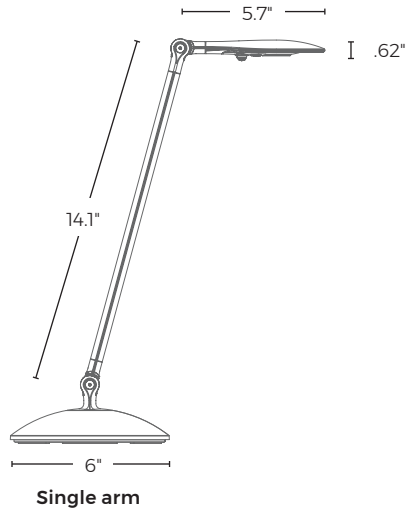


Desk Light



PREVO

LIGHTCORP



FEATURES:

- Dozens of color finishes available
- Six mounting options
- Optional occupancy sensor turns fixture off after 30 minutes of inactivity and back on after sensing movement
- Optional USB charging base
- Continuous dimming with last state memory
- Auto shut-off after 10 hours

SPECIFICATIONS:

ENERGY CONSUMPTION	6 system watts; 11 system watts with USB
NUMBER OF LEDs	18 fractional LEDs
LIGHT OUTPUT	295 lumens
LED RATED LIFESPAN	> 50,000 hours
COLOR TEMPERATURE	3500K
COLOR RENDERING INDEX	92
BRIGHTNESS ADJUSTABILITY	100%-15%; continuous
USB CHARGE PORT	optional; Type-A connector, 5V; 1.2A max
POWER SUPPLY	18-watt wall transformer with 9' black cord
CORD	3' silver cord with quick connector
MATERIALITY	aluminum and plastic
CERTIFICATIONS	ETL listed: compliant to UL 153/8750 & CSA C22.2 No. 250.4; FCC Part 15 Class B; TAA; BAA
WARRANTY	10 years fixture; 5 years power supply

DIMENSIONS:

	W	H	D
Single arm	6"	15.5"	14.4"
Double arm	6"	15.5"	17.7"

SUSTAINABILITY NOTES:

- Made with fully-recyclable aluminum and plastic. Please contact your local county or municipality to determine your local recycling options.
- Energy-saving features such as auto shut-off and dimming included; occupancy sensor available as an option
- Lower power consumption
- Mercury-free
- Potential LEED points. For more LEED information please visit <https://new.usgbc.org/leed-v41>

MOUNTING:

Revo is available with a freestanding base, freestanding base with USB, slatwall mount, panel mount, clamp mount, and surface mount.

- All mounting options are fixed to the fixture arm as a theft-deterrent feature and are not interchangeable.
- The clamp mount applies to surfaces 0.9"-1.875" thick.
- Surface mount requires a 2.125" diameter hole be drilled into the work surface. Surfaces can be 1.2" thick maximum.
- When specifying panel mount or slat wall mount, the office furniture system must be specified. Please call Inside Sales at 800.526.5658 for system mounting availability.

FINISHES:



SPECIFICATION NOTES:

- The weight of the freestanding base and freestanding base with USB is 5.5 lbs.

PHOTOMETRIC DATA:

Footcandle outputs measured at 15" from the work surface.

	18"	12"	6"	CL	6"	12"	18"
12"	5	11	20	25	20	11	5
6"	8	20	43	59	43	20	8
CL	9	25	61	88	61	25	9
6"	8	20	43	59	43	20	8
12"	5	11	20	25	20	11	5