

Stella - Cart

Installation instructions

Included in the package:

- Stella cart
- Casters (if purchased)
- Cleat (if purchased – see reverse side for installation)

Tools required:

- Philips Head Screwdriver
- Rubber Mallet (optional)

NOTE:

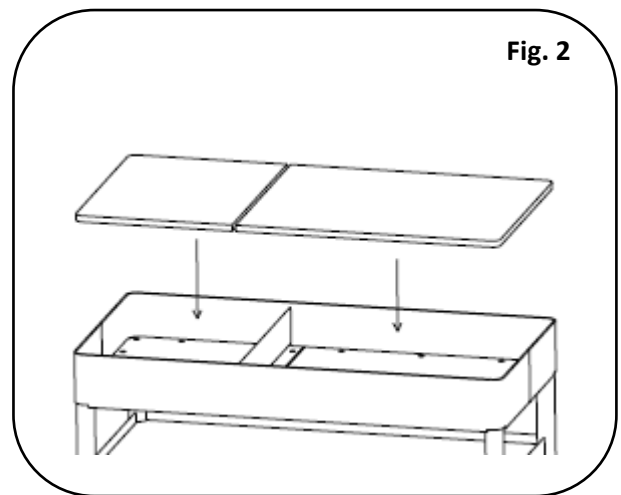
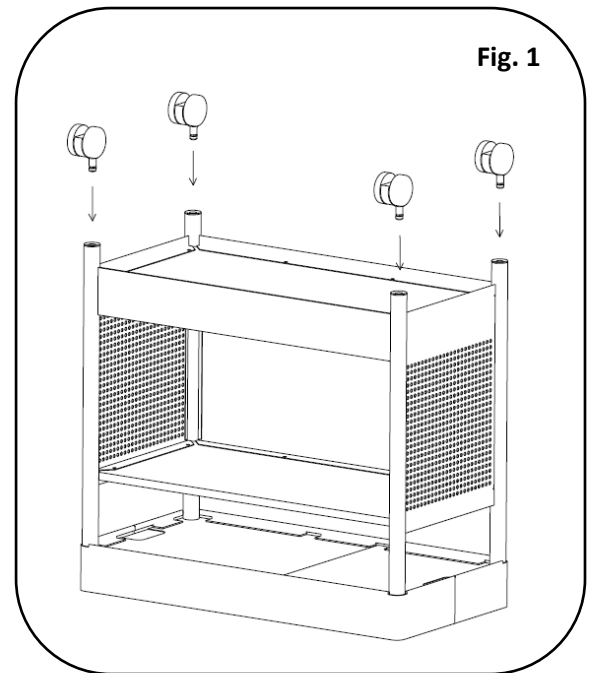
- Do Not overload. Unit is rated for 100 lbs. total and 25 lbs. per wood shelf.
- Wood grain may vary per product.
- Warping is common and expected, however, warping should not exceed ¼".
- Warranty does not cover staining of felt liners. New felt liners are available for purchase. (see below for part number)

How to install:

1. Open box and turn upside down to pull box off from unit.
2. If ordered, press casters into the legs. A rubber mallet may be required.
3. Inspect the screws for the shelving to ensure they are tightened.
4. Flip unit over and place in desired location.

To Replace felt liners:

1. Locate cutout on side of the top (Fig 2)
2. Press firmly up to remove the old liner and adhesive.
3. Clean with isopropyl alcohol
4. Remove tape backing on new liner and press into place.



Replacement Felt Liners:

- 23431.013.622 – Felt Pad Kit, Small, Light Gray
- 23431.013.623 – Felt Pad Kit, Small, Medium Gray
- 23431.013.624 – Felt Pad Kit, Small, Dark Gray
- 23431.024.622 – Felt Pad Kit, Large, Light Gray
- 23431.024.623 – Felt Pad Kit, Large, Medium Gray
- 23431.024.624 – Felt Pad Kit, Large, Dark Gray

Stella – Cleat (if purchased)

Installation instructions

Included in the package:

- (1) Cleat
- (2) Thumb Nuts

No Tools required

How to install:

1. Place bracket in any location on either side of the Stella cart as desired (Fig. 1).
2. Hand tighten the two thumbs nuts provided to secure bracket in place (Fig 2).

