

Pippa - Freestanding

Installation Instructions

Included in the package:

- Pippa LED light fixture
- 8W, Class 2 Power Supply

No Tools required.

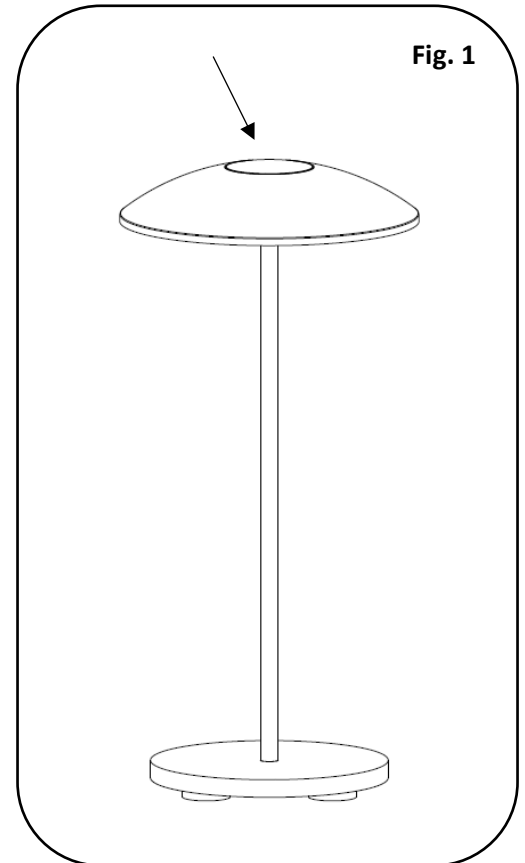
How to install:

1. Remove the light from the package and place on desired surface.
2. Plug the light into the provided Class 2 power supply and plug the power supply into a 120V power source.

To Operate:

- **To Power ON/OFF:** Touch the light on the Top Cap (Fig. 1). A quick touch will turn the light on and off.
- **To Adjust Brightness:** Touch and hold the Top Cap (Fig. 1) to adjust the continuous dimming.

Note: Shade is not adjustable



Note: This equipment has been tested and found to comply with the limits for a Class B digital device, pursuant to Part 15 of the FCC Rules. These limits are designed to provide reasonable protection against harmful interference in a residential installation. This equipment generates, uses, and can radiate radio frequency energy and, if not installed and used in accordance with the instructions, may cause harmful interference to radio communications. However, there is no guarantee that interference will not occur in a particular installation. If this equipment does cause harmful interference to radio or television reception, which can be determined by turning the equipment off and on, the user is encouraged to try to correct the interference by one or more of the following measures: Reorient or relocate the receiving antenna, Increase the separation between the equipment and receiver, Connect the equipment into an output on a circuit different from that to which the receiver is connected, or consult the dealer or an experienced radio/TV technician for help.

Pippa – Surface Mount

Installation Instructions

Included in the package:

- Pippa LED light fixture
- 8W, Class 2 Power Supply
- Surface Mount (if applicable)
- (2) 10-32 Button Head Screws

Tools required:

- 2-1/4" Diameter hole saw (if needed)
- 1/8" Allen wrench

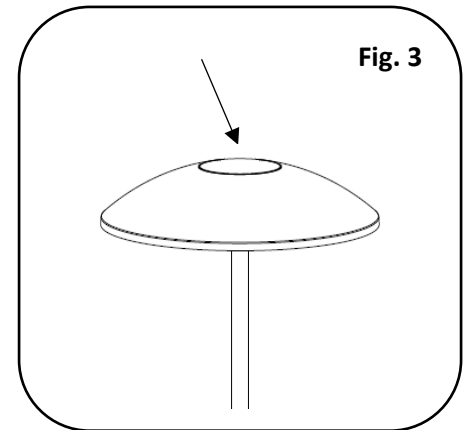
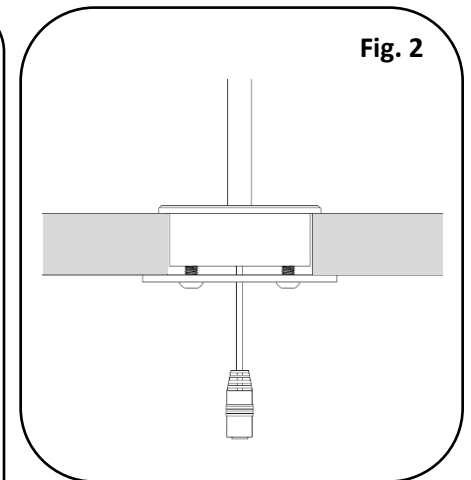
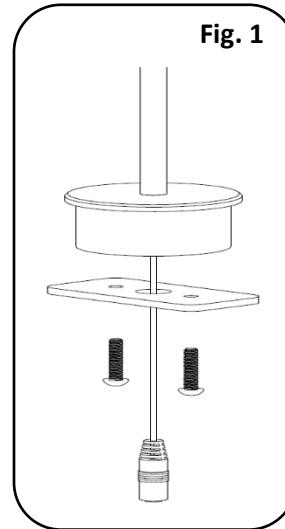
How to install:

Note: Surface Mount is designed to fit a 2-1/4" diameter hole in a worksurface.

1. If a 2-1/4" hole does not already exist, cut one before removing the light from the package.
2. Remove the light from the package and route the power cord through the hole in the worksurface. Place the light into the hole being mindful not to pinch the cord.

Tip: It can be helpful to have a second person hold the light in place while installing to ensure orientation stays as desired and the light fixture does not fall over.

3. From the underside of the worksurface, route the cord through the mounting plate and secure it to the light using the provided button head screws. Refer to Fig. 1 & Fig. 2 for views showing how the mounting plate is oriented.
4. Using a 1/8" Allen wrench, tighten the two screws until the plate is pressed firmly against the underside of the worksurface.
5. Plug the light into the provided Class 2 power supply and plug the power supply into a 120V power source.



To Operate:

- To Power ON/OFF: Touch the light on the Top Cap (Fig. 3). A quick touch will turn the light on and off.
- To Adjust Brightness: Touch and hold the Top Cap (Fig. 3) to adjust the continuous dimming.

Note: Shade is not adjustable